



2020 CATALOG

Please visit us at NationalScreenAndGlass.com
 For more information or a quote, please contact Sales@NationalScreenAndGlass.com

REPLACEMENT WINDOW SCREENS



\$15⁹⁰ EACH ANY SIZE
 MILL FINISH
 PAINTED FINISH ADD \$1.00

100's OF STYLES

INSULATED GLASS



CUSTOM SIZE FOR YOUR PROPERTY

PATIO DOORWALL SCREENS



36"
\$49⁹⁵
48"
\$54⁹⁵

WHITE • BRONZE • GRAY • ALMOND

FIND US ON COMPLIANCE DEPOT **SEE PAGE...8**



COMPLIANCE DEPOT™
 MICHIGAN #768594 NATIONWIDE #684456 A RealPage Company

EXTERIOR SHUTTERS



WINDOW SASH BALANCES & PARTS



FROM \$7¹⁰

VINYL & ALUMINUM MINI-BLINDS



OVER 120 STOCK SIZES AVAILABLE

(734) 595-1600
 6596 COMMERCE DR.
 WESTLAND, MI 48185
 FAX **(734) 595-9955**



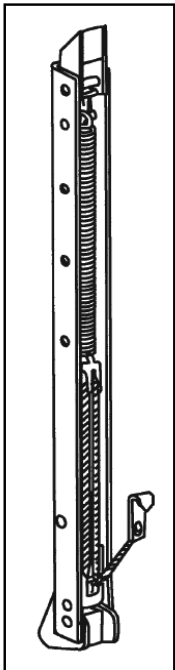
NATIONAL SCREEN & GLASS INDUSTRIES **1-800-521-9800**
 FAX **(734) 595-9955** | NATIONALSREENANDGLASS.COM

2020

Prices effective January 2020. Prices subject to change without notice. Volume discounts available, contact us for special pricing.

WHO CARES ABOUT INSPECTIONS? YOU DO. SO DO WE.

"THE DISCOUNT SUPPLIER" • WE DELIVER ANYWHERE



HUD, states, cities, banks – everyone wants to make sure your property is up to snuff. WE HELP PROPERTIES WITH THE SNUFF.

Low REAC scores can cost you hundreds of thousands of dollars. Bad bank inspections can hold up refinancing.

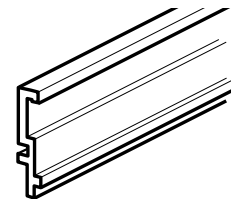
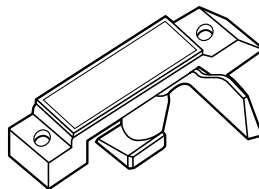
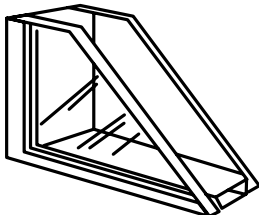
CALL US AT 1-734-595-1600 AND GET AHEAD OF THE GAME.

"Artic Window is hands down the best. We have several inspections that arise unexpectedly and Artic is the first contractor I call. They perform miracles for us. Artic is one of the best companies we work with and will be working with for a long time."

- Lonnie, Continental Management

5 of the top 6 REAC deficiencies* are for broken windows and doors. That is 168,796 violations – 45% of the top 25 violations – for windows and doors.

RANK	AREA	DEFICIENCY
1	Doors	Damaged Hardware / Locks
3	Windows	Damaged / Missing Screens
4	Doors	Damaged Surface
5	Windows	Inoperable / Not Lockable
6	Windows	Missing / Deteriorated Caulking / Seals / Glazing



**INSULATED GLASS • WINDOW SCREENS • DOORWALL SCREENS
REPLACEMENT PARTS • MINI & VERTICAL BLINDS**

* 2015 HUD report 'Top 25 RAPID 4.0 Multifamily Housing Deficiencies'

(734) 595-1600

6596 COMMERCE DR.
WESTLAND, MI 48185

FAX (734) 595-9955



1-800-521-9800

FAX (734) 595-9955 | NATIONALSCREENANDGLASS.COM

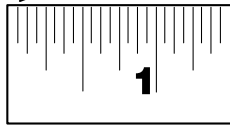
WE WILL PERSONALLY MEASURE YOUR SCREENS!

"THE DISCOUNT SUPPLIER" • WE DELIVER ANYWHERE

That's right! We'll personally measure your screens for proper frame, color, thickness and duplicate original hardware.



WE BUILD TO 1/16"



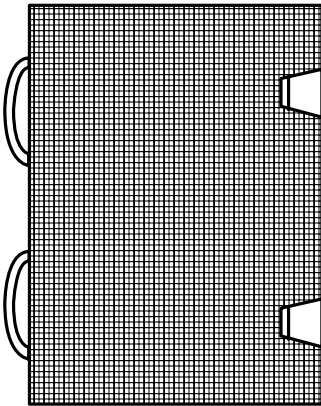
Having Problems Measuring? Contact Us Today!

We'll measure for you
We Simplify All Your Screen Needs!

SCREEN PRICE LIST

ANY SCREEN SIZE

Up to 96 united inches



\$15⁹⁰
each
MILL FINISH

\$16⁹⁰
each
PAINTED FINISH

- Minimum order 15 of size
- Solar mesh available at additional cost
- Quantity Discounts Available
- Inquire about Management Company Discounts

We are the innovator of the "Screen Program". This is a nationally recognized program that standardizes all of the screens for all of your properties. You are guaranteed *proper sizes, proper hardware, proper color, and proper fit*. This unique system can be instituted at no cost.

SHIPPING &
HANDLING EXTRA

These prices supersede all earlier sale prices.
WE RESERVE THE RIGHT TO LIMIT QUANTITIES AND CORRECT PRINTING ERRORS.

(734) 595-1600

6596 COMMERCE DR.
WESTLAND, MI 48185

FAX **(734) 595-9955**



NATIONAL SCREEN
& GLASS INDUSTRIES

1-800-521-9800

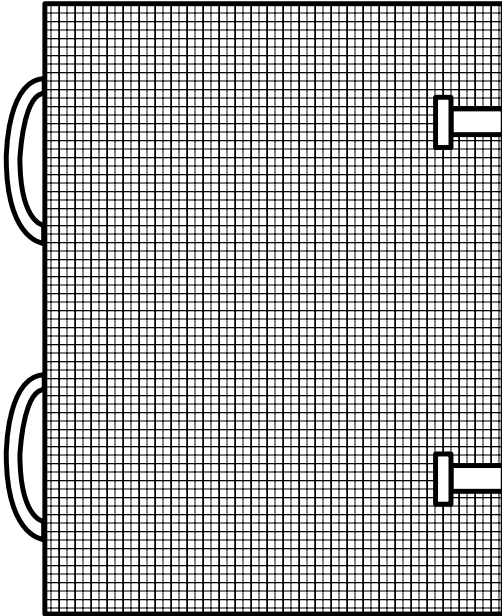
FAX **(734) 595-9955** | NATIONALSCREENANDGLASS.COM

Prices effective January 2020. Prices subject to change without notice. Volume discounts available, contact us for special pricing.

CUSTOM REPLACEMENT SCREENS

"THE DISCOUNT SUPPLIER" • WE DELIVER ANYWHERE

**SCREEN FRAME COLORS:
MILL, WHITE, BRONZE, BEIGE**
We build screens to any size



SHIPPING & HANDLING EXTRA

DIRECTIONS FOR MEASURING SCREENS

1. Locate a screen from an actual opening that fits properly. Never measure a screen that is in a storage area.
2. Measure the width and the height of the screen to the $\frac{1}{16}$ th of an inch.
3. Measure the thickness of the screen frame. It will be one of the following: $\frac{5}{16}$ " , $\frac{3}{8}$ " , $\frac{7}{16}$ ". This measurement is very important - make sure it is checked carefully.
4. Determine if the screen frame is Mill (silver aluminum), White, or Bronze (dark brown).
5. Determine from the pictures on page 4 what type of hardware is on your screen.

EXAMPLE : 28 $\frac{5}{16}$ " x 44 $\frac{1}{2}$ " x $\frac{3}{8}$ " Bronze Screens

SPECIAL FRAME SECTION	COMMON FRAME THICKNESS	
	<p>$\frac{5}{16}$" $\frac{3}{4}$"</p>	
	<p>$\frac{3}{8}$" $\frac{3}{4}$"</p>	<p>$\frac{7}{16}$" $\frac{3}{4}$"</p>

WE'LL MATCH YOUR FRAME

4

(734) 595-1600

6596 COMMERCE DR.
WESTLAND, MI 48185

FAX (734) 595-9955



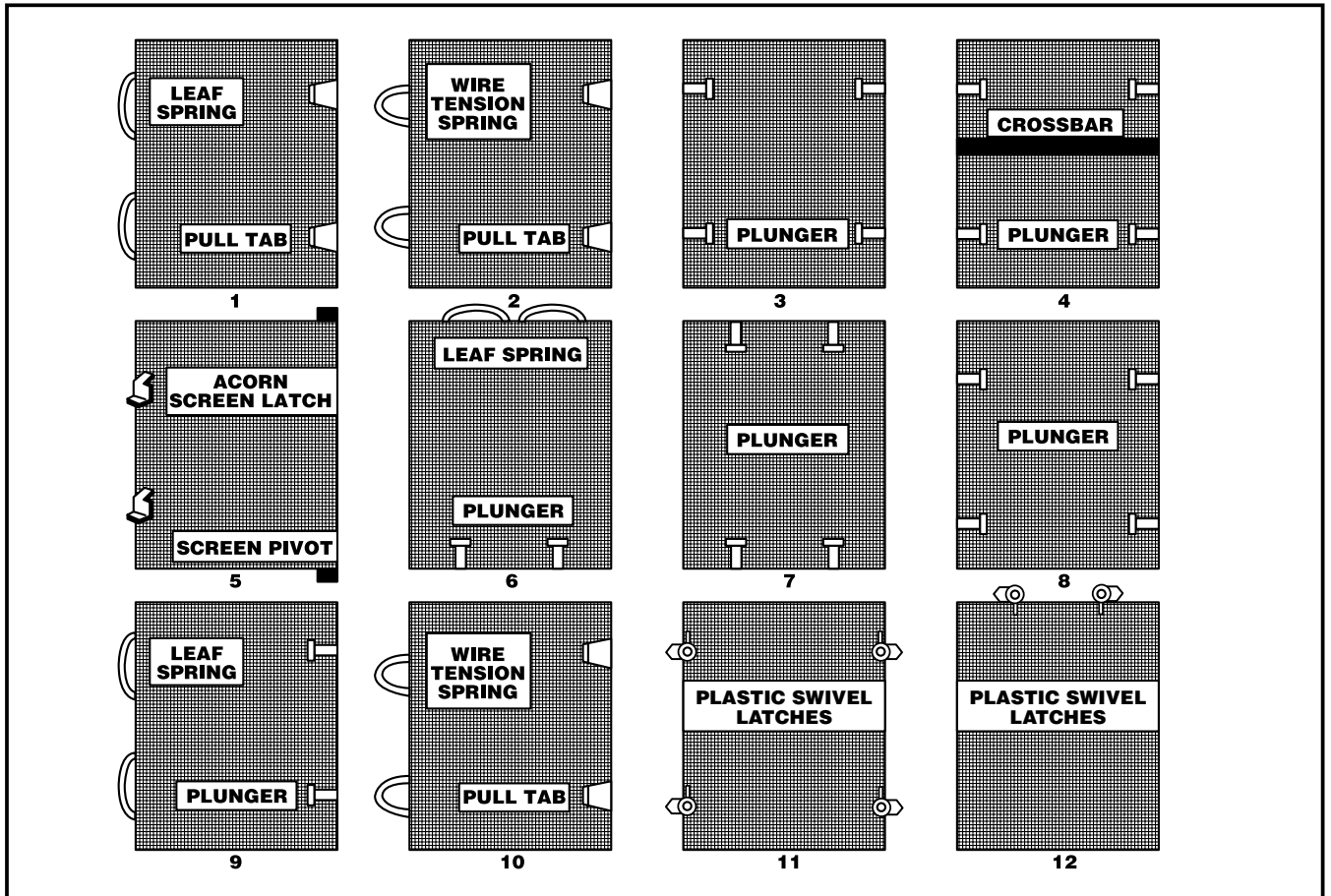
1-800-521-9800

FAX (734) 595-9955 | NATIONALSCREENANDGLASS.COM

Prices effective January 2020. Prices subject to change without notice. Volume discounts available, contact us for special pricing.

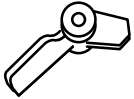

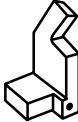
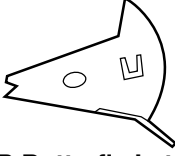




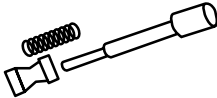

COMMON SCREEN STYLES

"THE DISCOUNT SUPPLIER" • WE DELIVER ANYWHERE



COMMON HARDWARE SOLD IN BAGS OF 100

SHIPPING & HANDLING EXTRA

 <p>84-026 Plastic Swivel Latch \$18.00/bag</p>	 <p>88-035 Leaf Spring \$18.00/bag</p>	 <p>94-012 Sub For Acorn Latch \$30.00/bag</p>	 <p>L/R Butterfly Latch \$20.00/bag</p>	 <p>88-007 Wire Tension Spring \$16.00/bag</p>
 <p>72-099 Pull Tab/Nylon Lift \$16.00/bag</p>	 <p>Wire Loop Latch \$20.00/bag</p>	 <p>70-022 5/8" Slide Latch \$20.00/bag</p>	 <p>74-012 Plunger ^{7/32}" Dia. Tip \$26.00/bag</p>	 <p>84-003 / 84-103 LH / RH Metal Swivel Latch \$20.00/bag</p>

(734) 595-1600

6596 COMMERCE DR.
WESTLAND, MI 48185

FAX (734) 595-9955



NATIONAL SCREEN
& GLASS INDUSTRIES

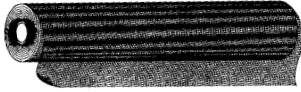
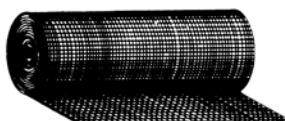
1-800-521-9800

FAX (734) 595-9955 | NATIONALSCREENANDGLASS.COM

5




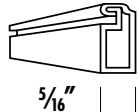
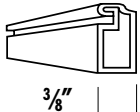
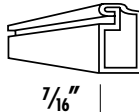
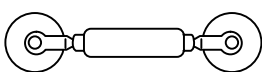
SCREEN WIRE FIBERGLASS AND ALUMINUM

"THE DISCOUNT SUPPLIER" • WE DELIVER ANYWHERE

		Available Colors	36" x 100'	48" x 100'	60" x 100'	72" x 100'	84" x 100'	
		FIBERGLASS MESH						
		Gray	\$46⁰⁰ per roll	\$61⁰⁰ per roll	N/A		CALL FOR PRICE	
		Charcoal			\$75⁰⁰ per roll			
 <p style="text-align: center;">SHIPPING & HANDLING EXTRA</p>		ALUMINUM WIRE						
		Silver	\$71⁰⁰ per roll	\$90⁰⁰ per roll	CALL FOR PRICE			
		Charcoal	\$77⁰⁰ per roll	\$97⁰⁰ per roll				

BUILD YOUR OWN WINDOW SCREENS

Box-Type Frames • Screen Spline • Corner Keys • Spline Tools

<p>SCREEN SPLINE 1000 FT ROLL $\frac{9}{64}$" diameter</p> <p>\$30⁰⁰ per roll</p>  <p>METAL CORNERS 100 PER BAG</p> <p>\$18⁰⁰ per bag</p>  <p>PLASTIC CORNERS 100 PER BAG</p> <p>\$46⁰⁰ per bag</p> 	<p>BOX-TYPE SCREEN FRAMES AT ONE LOW PRICE!!!</p> <p>20 PIECES 8 FT LONG PER TUBE</p> <p>MILL WHITE BRONZE</p> <p>CALL FOR PRICING & AVAILABILITY</p> <div style="display: flex; justify-content: space-around; align-items: center;"> <div style="text-align: center;">  <p>$\frac{5}{16}$"</p> </div> <div style="text-align: center;">  <p>$\frac{3}{8}$"</p> </div> <div style="text-align: center;">  <p>$\frac{7}{16}$"</p> </div> </div> <p style="text-align: right;">8 FOOT LENGTHS</p> <div style="border: 1px solid black; padding: 5px; text-align: center; margin-top: 10px;"> <p>All Screen Frame Material is Shipped FedEx/UPS</p> </div>	<p>SCREEN SPLINE ROLLER</p> <p>\$9⁵⁰</p> 
---------------------------------------------------------------------------------------------------------------------------------------------------------------------------------------------------------------------------------------------------------------------------------------------------------------------------------------------------------------------------------------------------------------------------------------------------------------------------------------------------------------------------------------------------------------------------------	---------------------------------------------------------------------------------------------------------------------------------------------------------------------------------------------------------------------------------------------------------------------------------------------------------------------------------------------------------------------------------------------------------------------------------------------------------------------------------------------------------------------------------------------------------------------------------------------------------------------------------------------------------------------------------------------------------------------------------------------------------------------------------------------------------------------------------------------------------------------------------------------------------------------------------------------------------------------------------------------------------------------------------------	-------------------------------------------------------------------------------------------------------------------------------------------------------

SHIPPING EXTRA

6

(734) 595-1600

6596 COMMERCE DR.
WESTLAND, MI 48185

FAX (734) 595-9955



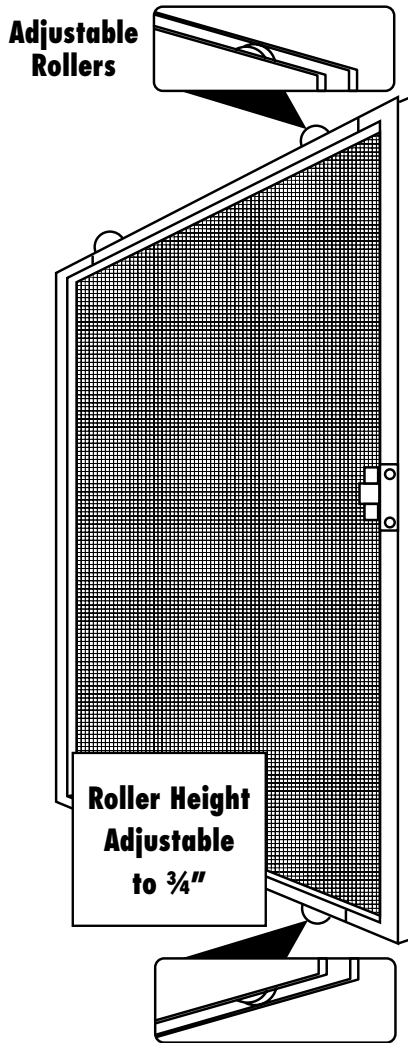
1-800-521-9800

FAX (734) 595-9955 | NATIONALSCREENANDGLASS.COM

Prices effective January 2020. Prices subject to change without notice. Volume discounts available, contact us for special pricing.

CUSTOM PATIO DOOR SCREENS

"THE DISCOUNT SUPPLIER" • WE DELIVER ANYWHERE



- Minimum order per size: 10

SHIPPING & HANDLING EXTRA

Manufactured to your exact measurements.
*Rollers adjust – not frame.

36"
FITS 6' WIDE PATIO
\$49⁹⁵
48"
FITS 8' WIDE PATIO
\$54⁹⁵
WHITE • BRONZE • GRAY • ALMOND

*80"+ tall screens – additional charge.

Measure your screen from tip-to-tip & call.

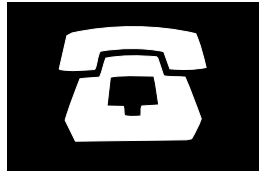
Screens are delivered in heavy cardboard boxes for safe cartage and easy storage for you.

Completely assembled to your exact size for immediate installation.

WE BUILD TO ANY SIZE

- Attractively designed with functional engineering to adapt to most door framing conditions
- These custom-made screens are reversible for installation flexibility by cartwheeling screen 180°
- Adjustable rollers
- Bug Seal
- Locking Handle

ORDERING IS EASY!



MEASURE & CALL US!

(734) 595-1600

6596 COMMERCE DR.
WESTLAND, MI 48185

FAX (734) 595-9955



NATIONAL SCREEN & GLASS INDUSTRIES

1-800-521-9800

FAX (734) 595-9955 | NATIONALSCREENANDGLASS.COM

Prices effective January 2020. Prices subject to change without notice. Volume discounts available, contact us for special pricing.

PART ID

"THE DISCOUNT SUPPLIER" • WE DELIVER ANYWHERE

Common problems with windows and doorwalls

- Windows not closing
- Windows not staying open
- Sashes not rolling properly
- Missing retaining strip
- Broken locks
- Missing screens
- Doors not rolling properly
- Broken handles

STAY UNDER BUDGET

KEEP YOUR RESIDENTS HAPPY

REDUCE YOUR MAINTENANCE CALLS

We can identify the parts you need to keep your windows and doorwalls working properly and **SAVE YOU TIME.**



SCAN HERE

NationalScreenAndGlass.com/PartID

Over 40 years of specializing in apartments, senior properties, hotels and colleges we're proud to work with so many great companies.



(734) 595-1600

6596 COMMERCE DR.
WESTLAND, MI 48185

FAX (734) 595-9955



1-800-521-9800

FAX (734) 595-9955 | NATIONALSCREENANDGLASS.COM

EXTERIOR SHUTTERS

"THE DISCOUNT SUPPLIER" • WE DELIVER ANYWHERE

MANUFACTURED OF RUGGED POLYPROPYLENE

SIZE	1 1/2" WIDTH OPEN LOUVERED	SIZE	1 3/4" WIDTH RAISED PANEL
			SHIPPING CYCLE 5-7 DAYS
36"	\$30 ⁹⁵ pair	35"	\$36 ⁹⁵ pair
39"	\$32 ⁹⁵ pair	39"	\$40 ⁹⁵ pair
43"	\$34 ⁹⁵ pair	43"	\$41 ⁹⁵ pair
48"	\$36 ⁹⁵ pair	47"	\$44 ⁹⁵ pair
52"	\$39 ⁹⁵ pair	51"	\$45 ⁹⁵ pair
55"	\$41 ⁹⁵ pair	55"	\$47 ⁹⁵ pair
60"	\$43 ⁹⁵ pair	59"	\$51 ⁹⁵ pair
64"	\$45 ⁹⁵ pair	63"	\$54 ⁹⁵ pair
67"	\$47 ⁹⁵ pair	67"	\$58 ⁹⁵ pair
72"	\$51 ⁹⁵ pair	71"	\$60 ⁹⁵ pair
75"	\$55 ⁹⁵ pair	75"	\$61 ⁹⁵ pair
80"	\$57 ⁹⁵ pair	80"	\$63 ⁹⁵ pair

COLORS: WHITE • BLACK • MUSKET BROWN • WEDGEWOOD BLUE • WICKER • FOREST GREEN • WINEBERRY

Minimum 2 pairs of shutters • Freight FREE 40 or more pair

(734) 595-1600

6596 COMMERCE DR.
WESTLAND, MI 48185

FAX (734) 595-9955



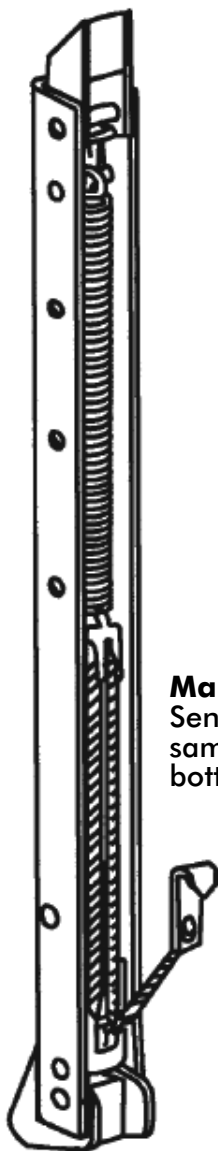
1-800-521-9800

FAX (734) 595-9955 | NATIONALSCREENANDGLASS.COM

Prices effective January 2020. Prices subject to change without notice. Volume discounts available, contact us for special pricing.

WINDOW BALANCES

"THE DISCOUNT SUPPLIER" • WE DELIVER ANYWHERE



Many Combinations
Send us a complete sample. With top and bottom ends intact.

THERE ARE MANY TYPES OF WINDOW BALANCES WE CAN SUPPLY THE TYPE YOU NEED

NO. OF BALANCES	PRICE PER BALANCE
12 to 48	\$8 ⁹⁰ each
49 to 99	\$8 ²⁰ each
100 PLUS	\$7 ¹⁰ each

SHIPPING AND HANDLING EXTRA

Comes with top and bottom hardware attached.

Most channel balances. Heavy duty & odd styles are extra.

HOW TO ORDER WINDOW BALANCES

- Measure the channel length.
- Indicate the number (whether 4 digit or 2 digit with a letter) stamped on the channel.
- Determine top and bottom accessories (see following page).
These are riveted onto the channel.



SCAN HERE

NationalScreenAndGlass.com/PartID

- Used in aluminum windows since 1960s.
- Must always have a top and bottom guide attached.
- Many guide variations available.

If you are unsure of your style, please...

Send 1 balance (intact) with top and bottom shoe attached

10

(734) 595-1600

6596 COMMERCE DR.
WESTLAND, MI 48185

FAX (734) 595-9955



NATIONAL SCREEN & GLASS INDUSTRIES

1-800-521-9800

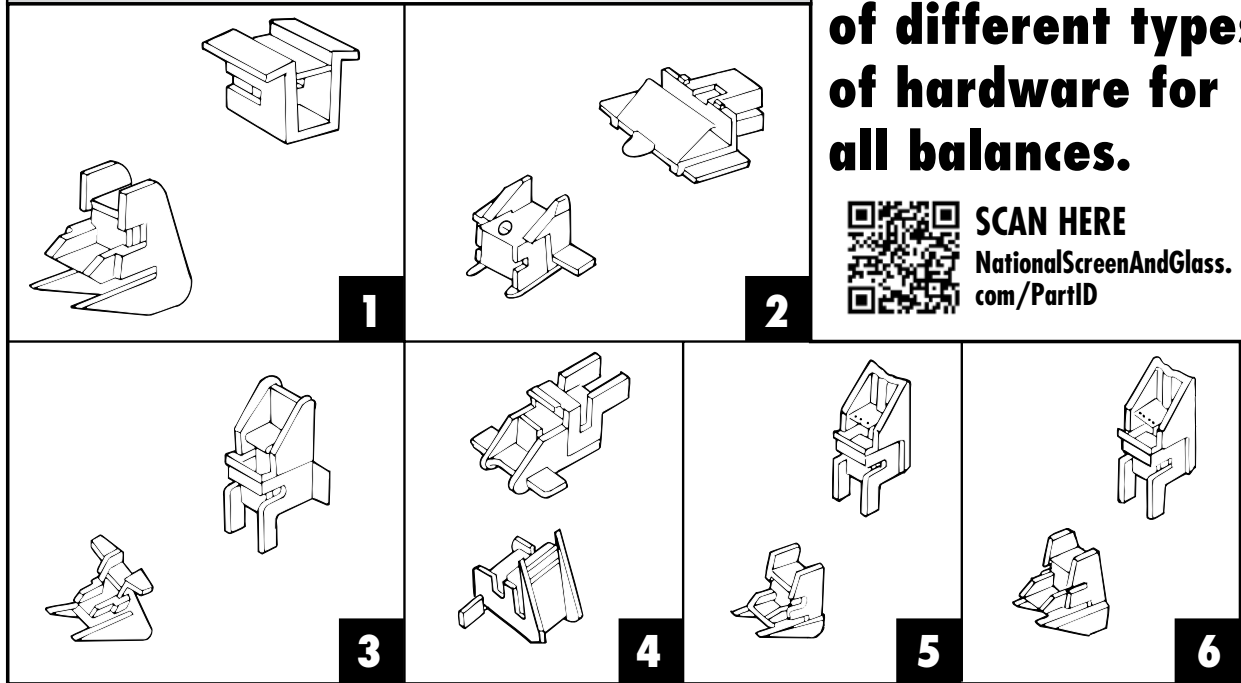
FAX (734) 595-9955 | NATIONALSCREENANDGLASS.COM

Prices effective January 2020. Prices subject to change without notice. Volume discounts available, contact us for special pricing.

BALANCE ACCESSORIES

"THE DISCOUNT SUPPLIER" • WE DELIVER ANYWHERE

COMMON HARDWARE COMBINATIONS

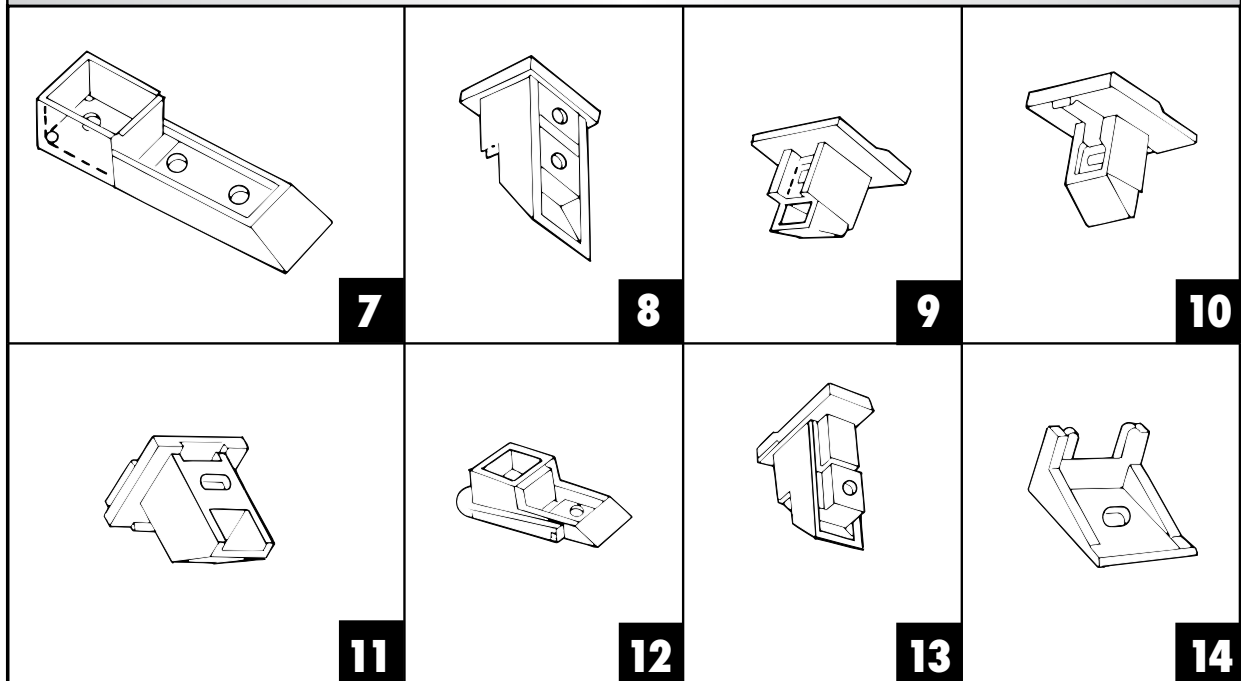


We have hundreds of different types of hardware for all balances.



SCAN HERE
NationalScreenAndGlass.com/PartID

TOP SASH GUIDES



(734) 595-1600

6596 COMMERCE DR.
WESTLAND, MI 48185

FAX **(734) 595-9955**



1-800-521-9800

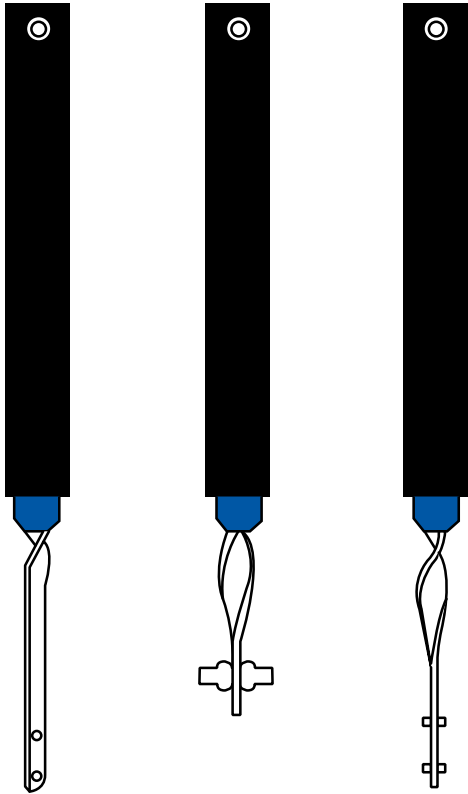
FAX **(734) 595-9955** | NATIONALSCREENANDGLASS.COM

Prices effective January 2020. Prices subject to change without notice. Volume discounts available, contact us for special pricing.

WINDOW SPIRAL BALANCES

"THE DISCOUNT SUPPLIER" • WE DELIVER ANYWHERE

PLEASE SEND A SAMPLE FOR PROPER IDENTIFICATION



SPIRAL BALANCE PRICES

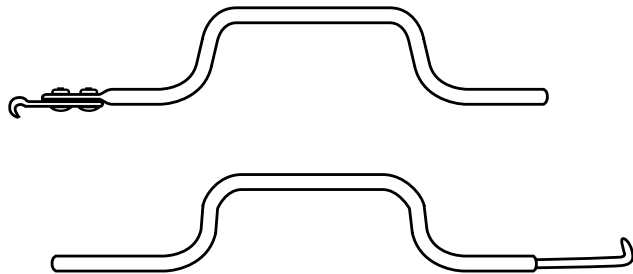
NO. OF BALANCES	
12 to 48	\$10 ⁹⁰ each
49 to 99	\$10 ²⁰ each
100 PLUS	\$9 ¹⁰ each

SHIPPING & HANDLING EXTRA

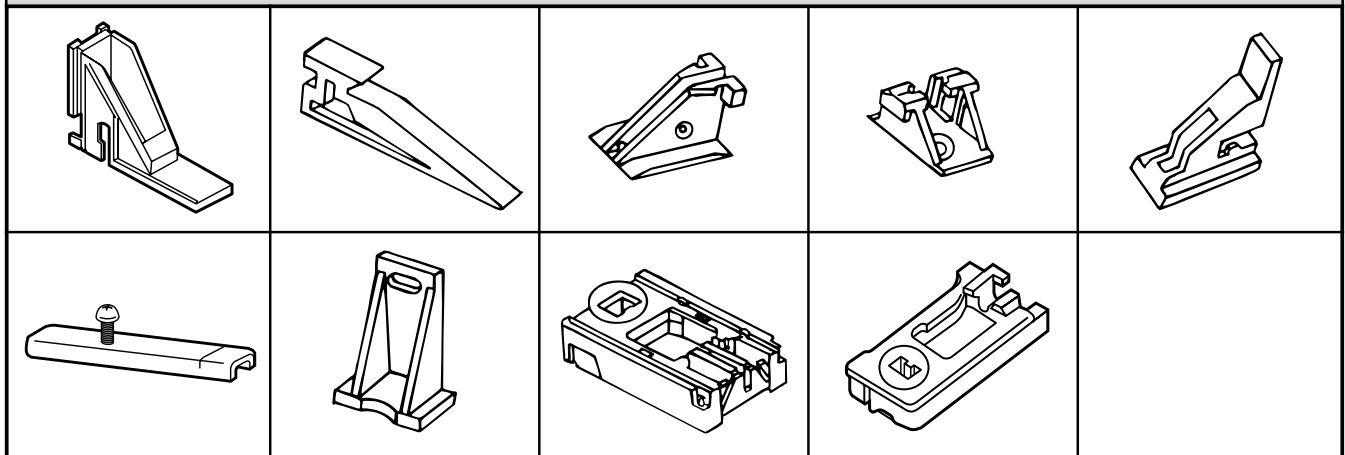
Prices do not include attached hardware.

Most spiral balances. Heavy duty & odd styles are extra.

BALANCE TENSIONING TOOLS



BALANCE ACCESSORIES



12

(734) 595-1600

6596 COMMERCE DR.
WESTLAND, MI 48185

FAX (734) 595-9955

Artic
Window REPLACEMENT INDUSTRIES



NATIONAL SCREEN
& GLASS INDUSTRIES

1-800-521-9800

FAX (734) 595-9955 | NATIONALSCREENANDGLASS.COM

Prices effective January 2020. Prices subject to change without notice. Volume discounts available, contact us for special pricing.

WINDOW REPLACEMENT PARTS

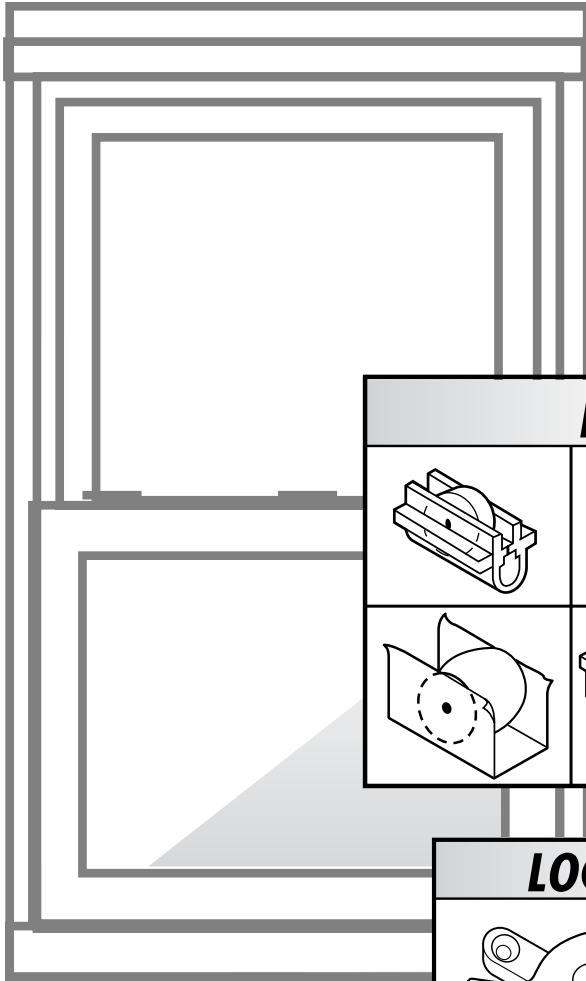
"THE DISCOUNT SUPPLIER" • WE DELIVER ANYWHERE

WE SPECIALIZE IN OBSOLETE & HARD TO FIND HARDWARE

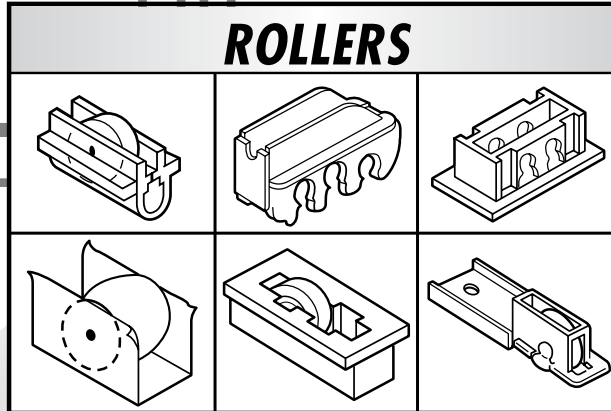
**PLEASE SEND A SAMPLE
– LET OUR RESEARCH
DEPARTMENT WORK
FOR YOU!**

SCAN HERE

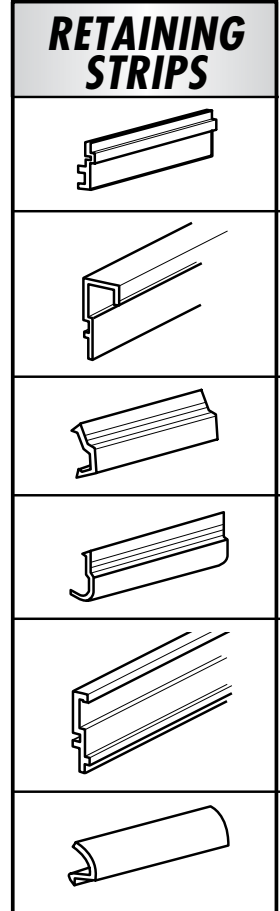
NationalScreenAndGlass.com/PartID



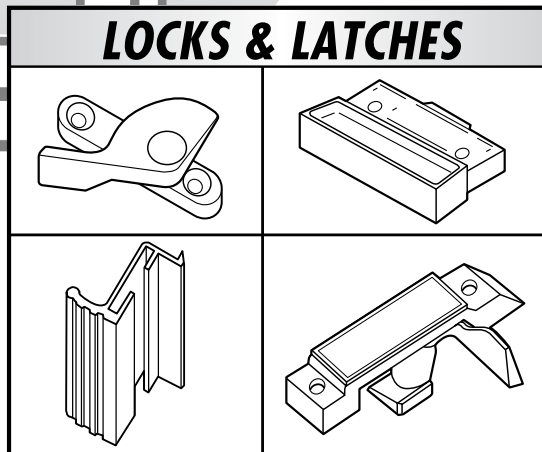
ROLLERS



RETAINING STRIPS



LOCKS & LATCHES



WEATHERSTRIPPING



(734) 595-1600

6596 COMMERCE DR.
WESTLAND, MI 48185

FAX **(734) 595-9955**

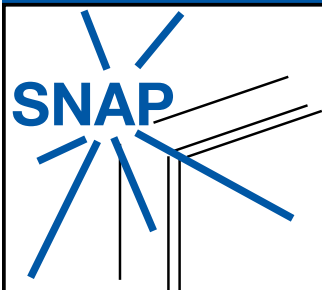


NATIONAL SCREEN
& GLASS INDUSTRIES

1-800-521-9800

FAX **(734) 595-9955** | NATIONALSCREENANDGLASS.COM

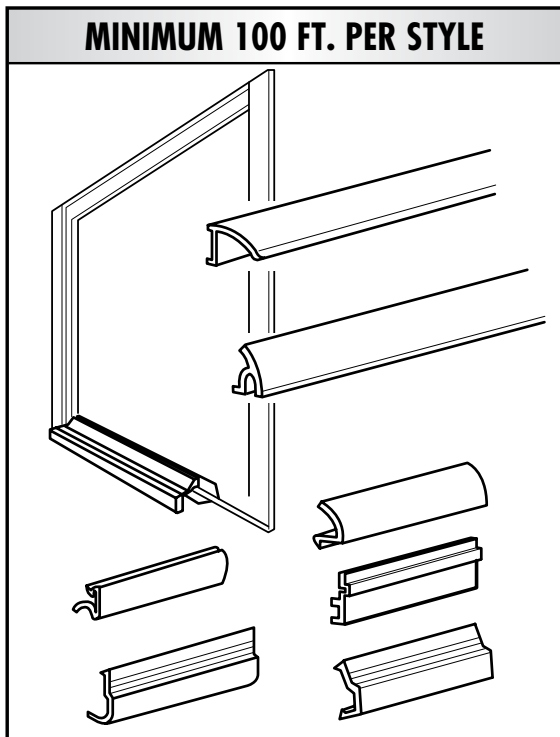
Prices effective January 2020. Prices subject to change without notice. Volume discounts available, contact us for special pricing.



RETAINING STRIPS • SNAP-IN GLAZING

ARE THE PLASTIC STRIPS ON THE EDGE OF YOUR WINDOW BRITTLE OR CRACKING WHEN YOU CHANGE GLASS??

MINIMUM 100 FT. PER STYLE



100'S OF DIFFERENT STYLES AVAILABLE

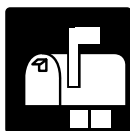
WINTERSEAL • ACORN • PENNCO

And Many More Styles Available!

We can match yours - or provide an alternate!

COMMON STYLES

#21038A		#22026A	
#S65-101B Formerly #23038A		#30027A	
#048P		#045P	



FOR POSITIVE IDENTIFICATION PLEASE SEND A SAMPLE.

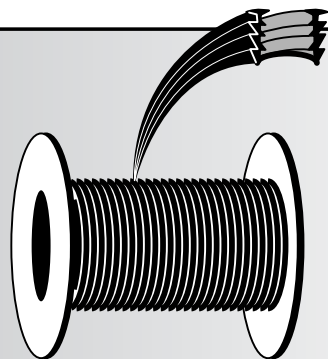
Drop a 6" piece in an envelope and mail for easy identification.

SCAN HERE

NationalScreenAndGlass.com/PartID



SHIPPING & HANDLING EXTRA



WINDOW & PATIO RUBBER GLAZING GASKET

For Insulated Glass

Now Available in

7/16" • 1/2" • 5/8"

\$108⁰⁰ per roll

SOLD IN 100 FT ROLLS QUANTITY DISCOUNTS AVAILABLE

14

(734) 595-1600

6596 COMMERCE DR.
WESTLAND, MI 48185

FAX **(734) 595-9955**

Artic
Window REPLACEMENT INDUSTRIES



NATIONAL SCREEN & GLASS INDUSTRIES

1-800-521-9800

FAX **(734) 595-9955** | NATIONALSCREENANDGLASS.COM

Prices effective January 2020. Prices subject to change without notice. Volume discounts available, contact us for special pricing.

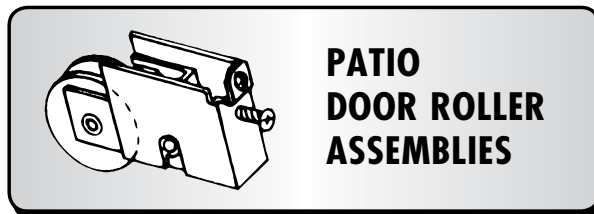
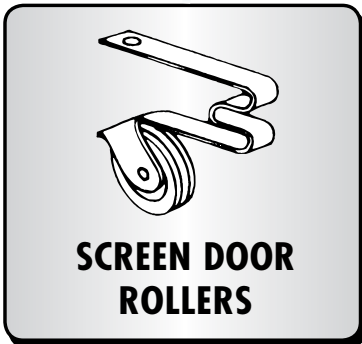
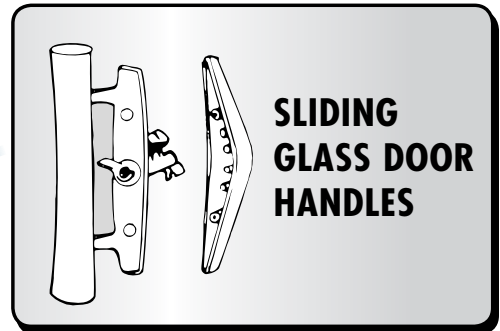
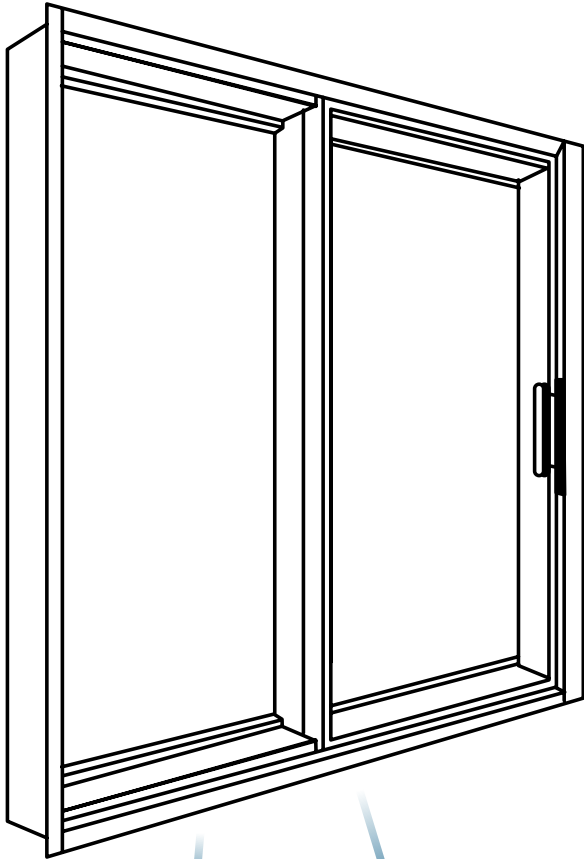
PATIO DOORWALL REPLACEMENT PARTS

"THE DISCOUNT SUPPLIER" • WE DELIVER ANYWHERE

Looking for a hard to find part?

WE CAN HELP!

Please send us a sample
for easy identification



SCAN HERE

NationalScreenAndGlass.com/PartID

HUNDREDS OF MAKES

(734) 595-1600

6596 COMMERCE DR.
WESTLAND, MI 48185

FAX (734) 595-9955



**NATIONAL SCREEN
& GLASS INDUSTRIES**

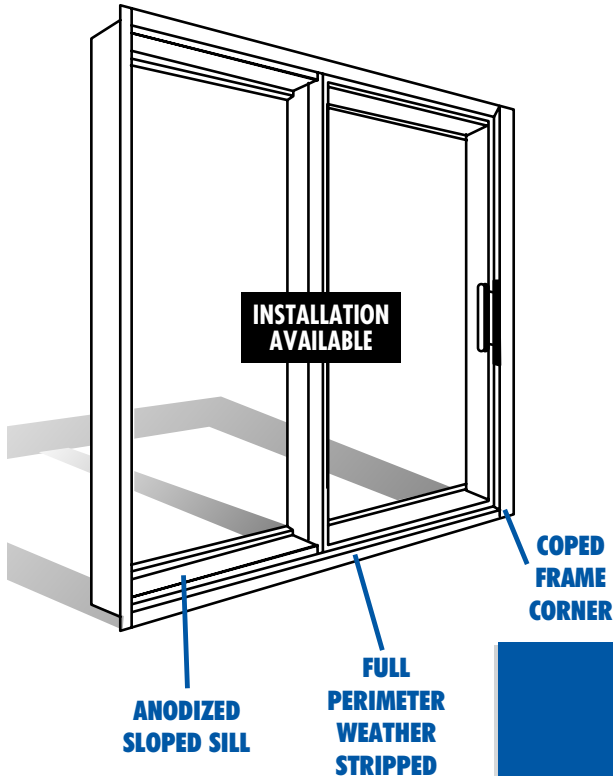
1-800-521-9800

FAX (734) 595-9955 | NATIONALSREENANDGLASS.COM

Prices effective January 2020. Prices subject to change without notice. Volume discounts available, contact us for special pricing.

REPLACEMENT PATIO DOORWALLS AND WINDOWS

"THE DISCOUNT SUPPLIER" • WE DELIVER ANYWHERE



ALUMINUM AND VINYL PATIO DOORWALLS	
5/0 x 6/8	6/0 x 6/8
8/0 x 6/8	9/0 x 6/8
12/0 x 6/8	CUSTOM SIZES AVAILABLE
<i>White, Bronze, Almond, Split Colors (Vinyl) Available</i>	

SHIPPING & HANDLING EXTRA

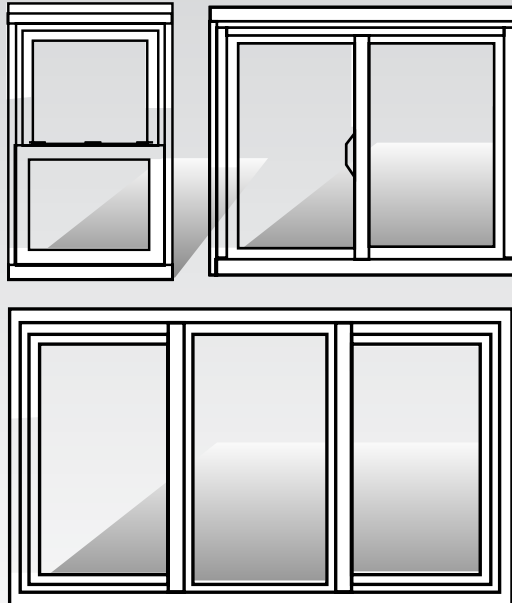
1 WINDOW OR 1500 LET US QUOTE YOUR WINDOW WORK

COMMON PROBLEMS:

- Operating sash won't roll
- Gaps – air infiltration
- Sagging header
- Worn-out tracks
- Damaged or bent frames

REPAIR OR REPLACE WE CAN ELIMINATE PROBLEMS WITH PATIO DOORWALLS!

- New Rollers
- Replace Bad Glass
- New Screens
- New Handles



- **SLIDERS**
- **DOUBLE HUNG**
- **3 LITE PICTURE WINDOW**

MEASURE AND INSTALLATION
AVAILABLE IN MICHIGAN

(734) 595-1600

6596 COMMERCE DR.
WESTLAND, MI 48185

FAX (734) 595-9955



1-800-521-9800

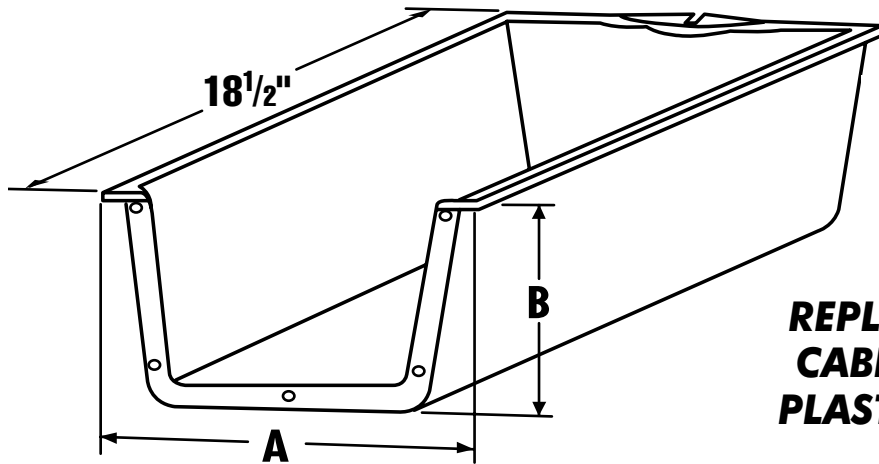
FAX (734) 595-9955 | NATIONALSCREENANDGLASS.COM

REPLACEMENT DRAWER INSERTS

"THE DISCOUNT SUPPLIER" • WE DELIVER ANYWHERE

CABINET DRAWER INSERTS

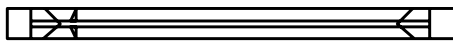
REPLACE OLD WORN OUT CABINET DRAWERS WITH PLASTIC DRAWER INSERTS!



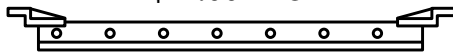
ALSO REPLACES OLD STYLE TRIANGLE PACIFIC

MONORAIL

TOP VIEW

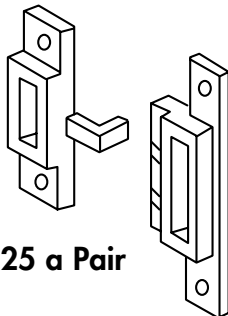


\$24.00 EACH



SIDE VIEW

FRONT & REAR DRAWER GUIDES



\$5.25 a Pair

PART #	"A"	"B"	UNIT PRICE
S45-89B	14-7/8"	4"	\$24 ⁰⁰
S45-90B	20-1/2"	4"	\$29 ⁰⁰
S45-91B	11-3/4"	4"	\$24 ⁰⁰
S45-93B	17-1/2"	4"	\$24 ⁰⁰
S45-94B	8-3/4"	4"	\$24 ⁰⁰
S45-95B	11-3/4"	8"	\$29 ⁰⁰

**EASY TO INSTALL – 5 MINUTES
PRE-DRILLED MOUNTING HOLES**

(734) 595-1600

6596 COMMERCE DR.
WESTLAND, MI 48185

FAX (734) 595-9955



NATIONAL SCREEN
& GLASS INDUSTRIES

1-800-521-9800

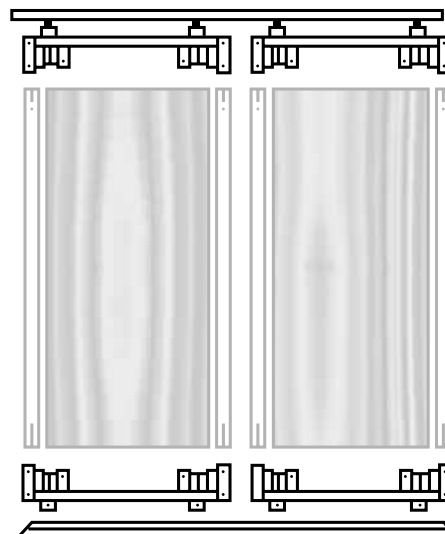
FAX (734) 595-9955 | NATIONALSCREENANDGLASS.COM

Prices effective January 2020. Prices subject to change without notice. Volume discounts available, contact us for special pricing.

BUILT TO SIZE

Create beautiful new sliding doors by simply combining your choice of paneling with "Acme 60 Minute Sliding Door Kit".

Sliding door units are steel frames, top hung and bottom guided. The steel frame consisting of pull stiles and rails is prefinished gold baked enamel. The four corners are locked together by removable connectors that permit changing of panels. Hangers are Acetal wheels and hanger assemblies that provide 1-1/2" vertical adjustment. Floating nylon bottom guides lock into the floor track and automatically compensate for floors up to 3/4" out of level. Floor track is the low profile type with height not exceeding 3/16" above floor level for minimum floor obstruction.



SIZE OF UNIT	NUMBER OF PANELS	PRICE
4/0 x 6/8	2 PANELS	\$245.00
5/0 x 6/8	2 PANELS	\$245.00
6/0 x 6/8	2 PANELS	\$245.00
8/0 x 6/8	2 PANELS	\$270.00
12/0 x 6/8	3 PANELS	\$380.00
4/0 x 8/0	2 PANELS	\$270.00
5/0 x 8/0	2 PANELS	\$280.00
6/0 x 8/0	2 PANELS	\$290.00
8/0 x 8/0	2 PANELS	\$300.00
12/0 x 8/0	3 PANELS	\$430.00

PANEL FINISH – GOLDEN OAK ONLY • FRAME – SILVER ONLY

MINIMUM 6 BYPASS DOORS

SHIPPING & HANDLING EXTRA

CORDLESS VINYL MINI BLINDS

"THE DISCOUNT SUPPLIER" • WE DELIVER ANYWHERE

- Actual widths are ½" less than printed to allow for inside mounting
- Blinds up to 47" wide come 6/box
- Blinds 48" wide and larger come 4/box Available in **WHITE** or **ALABASTER**



Additional stock sizes available in the following lengths:

- 36" •42" •48" •54" •60"
- 64" •72" •78" •84" •96"

Also available (call for quote):

- Vertical Blinds • Aluminum Mini
- Heavy Duty • Faux Wood

In accordance with Window Covering Manufacturers Association safety standards – mini blinds are now CORDLESS.

STOCK PRICE LIST - 36"

WIDTH	LENGTH	PRICE PER BLIND
17"	36"	\$ 7.80 ea.
24"	36"	\$ 9.55 ea.
30"	36"	\$ 11.95 ea.
36"	36"	\$ 14.30 ea.
45"	36"	\$ 17.90 ea.
48"	36"	\$ 19.10 ea.
60"	36"	\$ 23.85 ea.

STOCK PRICE LIST - 48"

WIDTH	LENGTH	PRICE PER BLIND
24"	48"	\$ 12.70 ea.
30"	48"	\$ 13.00 ea.
34"	48"	\$ 14.75 ea.
35"	48"	\$ 15.15 ea.
36"	48"	\$ 15.60 ea.
42"	48"	\$ 19.70 ea.
43"	48"	\$ 20.15 ea.
46"	48"	\$ 19.95 ea.
47"	48"	\$ 20.35 ea.
48"	48"	\$ 22.50 ea.
54"	48"	\$ 23.40 ea.
58"	48"	\$ 25.10 ea.

STOCK PRICE LIST - 48" CONTINUED

WIDTH	LENGTH	PRICE PER BLIND
59"	48"	\$ 25.55 ea.
60"	48"	\$ 28.10 ea.
70"	48"	\$ 30.30 ea.
71"	48"	\$ 33.25 ea.
72"	48"	\$ 33.75 ea.

STOCK PRICE LIST - 64"

WIDTH	LENGTH	PRICE PER BLIND
23"	64"	\$ 11.55 ea.
24"	64"	\$ 12.05 ea.
27"	64"	\$ 13.55 ea.
29"	64"	\$ 14.55 ea.
30"	64"	\$ 15.05 ea.
31"	64"	\$ 15.55 ea.
32"	64"	\$ 16.10 ea.
33"	64"	\$ 16.60 ea.
34"	64"	\$ 17.10 ea.
35"	64"	\$ 17.60 ea.
36"	64"	\$ 18.10 ea.
38"	64"	\$ 19.10 ea.
39"	64"	\$ 19.60 ea.
40"	64"	\$ 20.10 ea.

SHIPPING & HANDLING EXTRA Aluminum head and foot rail for extra strength available. Call for a Quote.

(734) 595-1600

6596 COMMERCE DR.
WESTLAND, MI 48185

FAX **(734) 595-9955**



1-800-521-9800

FAX **(734) 595-9955** | NATIONALSCREENANDGLASS.COM

Prices effective January 2020. Prices subject to change without notice. Volume discounts available, contact us for special pricing.

1" VINYL MINI BLINDS – LEAD FREE

"THE DISCOUNT SUPPLIER" • WE DELIVER ANYWHERE

STOCK PRICE LIST - 64"

WIDTH	LENGTH	PRICE PER BLIND
23"	64"	\$ 11.55 ea.
24"	64"	\$ 12.05 ea.
27"	64"	\$ 13.55 ea.
29"	64"	\$ 14.55 ea.
30"	64"	\$ 15.05 ea.
31"	64"	\$ 15.55 ea.
32"	64"	\$ 16.10 ea.
33"	64"	\$ 16.60 ea.
34"	64"	\$ 17.10 ea.
35"	64"	\$ 17.60 ea.
36"	64"	\$ 18.10 ea.
38"	64"	\$ 19.10 ea.
39"	64"	\$ 19.60 ea.
40"	64"	\$ 20.10 ea.

STOCK PRICE LIST - 64" CONTINUED

WIDTH	LENGTH	PRICE PER BLIND
42"	64"	\$ 21.10 ea.
43"	64"	\$ 21.60 ea.
45"	64"	\$ 22.60 ea.

STOCK PRICE LIST - 72"

WIDTH	LENGTH	PRICE PER BLIND
17"	72"	\$ 13.50 ea.
19"	72"	\$ 15.10 ea.
23"	72"	\$ 13.00 ea.
24"	72"	\$ 13.55 ea.
25"	72"	\$ 14.15 ea.
26"	72"	\$ 15.90 ea.
27"	72"	\$ 15.25 ea.
29"	72"	\$ 16.40 ea.
30"	72"	\$ 16.95 ea.
31"	72"	\$ 17.55 ea.
32"	72"	\$ 18.10 ea.
33"	72"	\$ 18.65 ea.

STOCK PRICE LIST - 72" CONTINUED

WIDTH	LENGTH	PRICE PER BLIND
34"	72"	\$ 19.20 ea.
35"	72"	\$ 19.80 ea.
36"	72"	\$ 20.35 ea.
38"	72"	\$ 23.20 ea.
39"	72"	\$ 22.05 ea.
41"	72"	\$ 25.05 ea.
42"	72"	\$ 25.65 ea.
43"	72"	\$ 24.30 ea.
46"	72"	\$ 28.10 ea.
47"	72"	\$ 26.55 ea.
48"	72"	\$ 27.10 ea.
52"	72"	\$ 31.75 ea.
54"	72"	\$ 30.50 ea.
58"	72"	\$ 35.45 ea.
59"	72"	\$ 33.30 ea.
63"	72"	\$ 35.60 ea.
70"	72"	\$ 42.75 ea.
71"	72"	\$ 40.10 ea.
72"	72"	\$ 44.00 ea.

STOCK PRICE LIST - 84"

WIDTH	LENGTH	PRICE PER BLIND
24"	84"	\$ 17.10 ea.
30"	84"	\$ 21.40 ea.
35"	84"	\$ 24.95 ea.
36"	84"	\$ 25.65 ea.
48"	84"	\$ 34.20 ea.
54"	84"	\$ 38.50 ea.
60"	84"	\$ 42.75 ea.
72"	84"	\$ 51.30 ea.

SHIPPING & HANDLING EXTRA Aluminum head and foot rail for extra strength available. Call for a Quote.

20

(734) 595-1600

6596 COMMERCE DR.
WESTLAND, MI 48185

FAX (734) 595-9955



1-800-521-9800

FAX (734) 595-9955 | NATIONALSCREENANDGLASS.COM

Prices effective January 2020. Prices subject to change without notice. Volume discounts available, contact us for special pricing.

POLICIES AND PROCEDURES

"THE DISCOUNT SUPPLIER" • WE DELIVER ANYWHERE

OPEN ACCOUNTS

We invite your business and will extend credit based upon an approved credit application. A complete credit application must be submitted. Upon approval, we will notify you of your open account. If your company doesn't have an open account, all orders can be prepaid or charged to Visa, Mastercard, Discover or American Express. Only certain items can be sent COD.

ACCOUNT TERMS

All items are Net 30 Days from date of invoice. Any invoices unpaid within terms is past due and assessed a 1.5% monthly service charge (18% annually). Orders from customers with past due balances may be placed on credit hold, pending assurance of payment.

MINIMUM ORDERS

The minimum order amount is \$50.00. Orders for less than \$50.00 will not be accepted for shipment.

VERBAL ORDERS

All verbal orders received by telephone are accepted only on the basis of the buyer assuming full responsibility for their correctness. All verbal orders are read back constituting an acknowledgement and confirmation of the order; no written confirmation will be forwarded.

FAX ORDERS

In order to give you the accuracy of written orders and also the speed of a phone call, we have a FAX machine for the purpose of aiding our customers. The FAX number is (734) 595-9955.

RETURN MATERIAL

No returns or cancellations for custom made merchandise will be accepted. (Note: All screens are custom made.) Material that can be returned is limited to stock items.

Merchandise shall not be returned without authorization. All returns must be sent freight prepaid back to our warehouse. All returnable items are subject to a minimum re-stocking charge of 15% of the original purchase price. Freight both ways is the responsibility of the customer. Goods must be PREPAID, UNUSED and COMPLETE for credit issuance.

CLAIMS AND DAMAGES

All claims and shortages must be reported to us within 5 days after receipt of merchandise. Merchandise should be inspected before the delivery receipt is signed. Open any cartons that appear to be damaged before signing the delivery receipt. All obvious damage must be noted on the delivery receipt next to your signature. If the damaged goods are concealed and discovered after the delivery, immediately notify our office.

GLASS DAMAGES

Customer should inspect all glass on arrival before the delivery receipt is signed. If there is damage to the glass, note it on the delivery receipt next to your signature.

BECAUSE OF THE VERY NATURE OF GLASS, NO CLAIMS FOR CRACKED OR BROKEN GLASS WILL BE ACCEPTED AT ANY TIME ONCE THE CUSTOMER HAS SIGNED THE DELIVERY RECEIPT FREE AND CLEAR.

ALL PRICES SUBJECT TO CHANGE WITHOUT NOTICE. ALL PRICES IN THIS CATALOG SUPERCEDE ANY PREVIOUS PRICES. PRICES EFFECTIVE MARCH, 2014.

ALL PRICES STATED ARE U.S. FUNDS. CALL FOR CREDIT APPLICATION.

(734) 595-1600

6596 COMMERCE DR.
WESTLAND, MI 48185

FAX **(734) 595-9955**



**NATIONAL SCREEN
& GLASS INDUSTRIES**

1-800-521-9800

FAX **(734) 595-9955** | NATIONALSREENANDGLASS.COM

Prices effective January 2020. Prices subject to change without notice. Volume discounts available, contact us for special pricing.

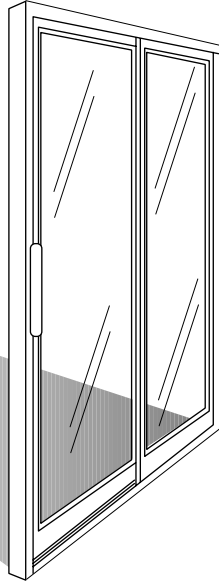
INSULATED TEMPERED DOORWALL AND REPLACEMENT GLASS

"THE DISCOUNT SUPPLIER" • WE DELIVER ANYWHERE

10
YEAR
WARRANTY
ON CLEAR UNITS

**CUSTOM
SIZES
AVAILABLE**

SHIPPING &
HANDLING EXTRA



INSULATED TEMPERED DOORWALL - STOCK GLASS SIZES

\$106⁰⁰

28" x 76"
GLASS FOR 5 FT
DOORWALL

\$112⁰⁰

33" x 75"
GLASS FOR 8 FT
DOORWALL

\$112⁰⁰

34" x 76"
GLASS FOR 6 FT
DOORWALL

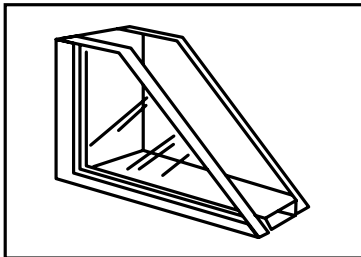
\$144⁰⁰

46" x 76"
GLASS FOR 8 FT
DOORWALL

INSTALLATION AVAILABLE IN MICHIGAN – CONTACT OFFICE FOR PRICING

WE WILL BUILD GLASS TO ANY SPECIFICATION

INSULATED REPLACEMENT GLASS



- Ordering is easy
- Prompt delivery direct to your complex
- We manufacture any size



SIZE	PRICE
16 x 36	\$27.00
16 x 44	\$33.00
16 x 56	\$42.00
22 x 16	\$25.00
22 x 32	\$33.00
22 x 44	\$46.00
22 x 45	\$48.00
22 x 46	\$48.00
22 x 48	\$50.00
22 x 56	\$58.00
22 x 58*	\$67.00
28 x 32	\$42.00
28 x 44	\$58.00

SIZE	PRICE
28 x 45	\$60.00
28 x 46	\$60.00
28 x 56*	\$82.00
30 x 28	\$40.00
30 x 44	\$62.00
30 x 56*	\$88.00
30½ x 45	\$69.00
32 x 34	\$51.00
34 x 44	\$70.00
34 x 46*	\$82.00
34 x 56*	\$100.00
34 x 58*	\$103.00

*D.S. – Double Strength

PRICE AND REGULAR GLASS DELIVERY AREAS: MICHIGAN, NORTHERN OHIO AND NORTHERN INDIANA. CONTACT OFFICE TO VERIFY DELIVERY TO YOUR AREA.

22

(734) 595-1600

6596 COMMERCE DR.
WESTLAND, MI 48185

FAX (734) 595-9955



1-800-521-9800

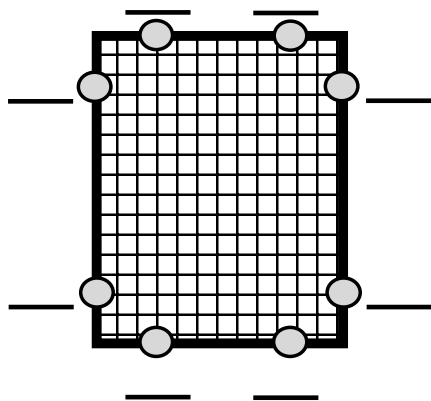
FAX (734) 595-9955 | NATIONALSCREENANDGLASS.COM

Prices effective January 2020. Prices subject to change without notice. Volume discounts available, contact us for special pricing.

WINDOW SCREEN QUOTE SHEET

Once we receive this sheet we will contact you to confirm. Screens will be built with these exact specs.
Cannot be cancelled or altered after 24 hrs. from confirmation.

SHIP TO	PROPERTY _____	DATE _____
	ADDRESS _____	NAME _____
	_____	PHONE _____
	E-MAIL _____	PO # _____



WIDTH x HEIGHT x SCREEN THICKNESS
 (Circle One)

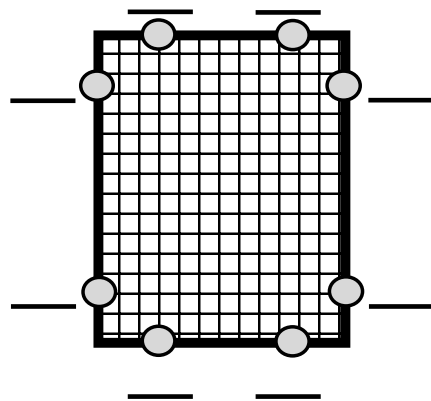
_____ x _____ x 5/16" 3/8" 7/16"

FRAME COLOR
 (Circle One)

Bronze White
 Mill (Silver) Almond

All screens built with Charcoal Fiberglass Mesh.

SCREEN QTY. _____



WIDTH x HEIGHT x SCREEN THICKNESS
 (Circle One)

_____ x _____ x 5/16" 3/8" 7/16"

FRAME COLOR
 (Circle One)

Bronze White
 Mill (Silver) Almond

All screens built with Charcoal Fiberglass Mesh.

SCREEN QTY. _____

SCREEN HARDWARE: List hardware letter code on line next to the location.

All hardware is placed standard at 6" from corners.

*** Must note different location if required.


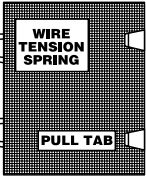
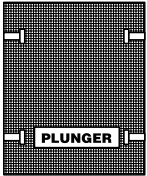
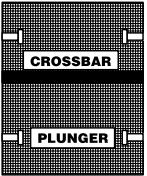
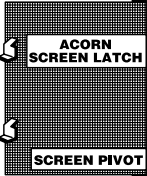

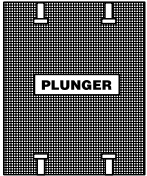
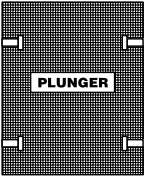
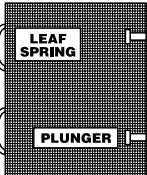
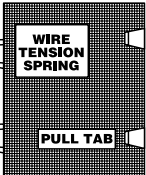
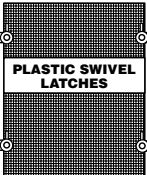

- A** – Pull Tabs **B** – Leaf Spring **H** – Plastic Swivel **M** – Plunger **R** – Acorn Swivel **X** – Other
-

ORDERING IS EASY!
SCREENS ARE DELIVERED IN HEAVY
CARDBOARD BOXES FOR SAFE
CARTAGE & EASY STORAGE FOR YOU.



1-800-521-9800
WE WILL MATCH YOUR
SCREENS AND DUPLICATE
YOUR HARDWARE.


COMMON SCREEN STYLES

 1	 2	 3	 4
 5	 6	 7	 8
 9	 10	 11	 12

PAGE 4

REPLACEMENT WINDOW SCREENS

100's OF STYLES



\$15⁹⁰ EACH ANY SIZE
MILL FINISH
PAINTED FINISH ADD \$1.00

PAGES 3-5

Prices effective January 2020. Prices subject to change without notice. Volume discounts available, contact us for special pricing.